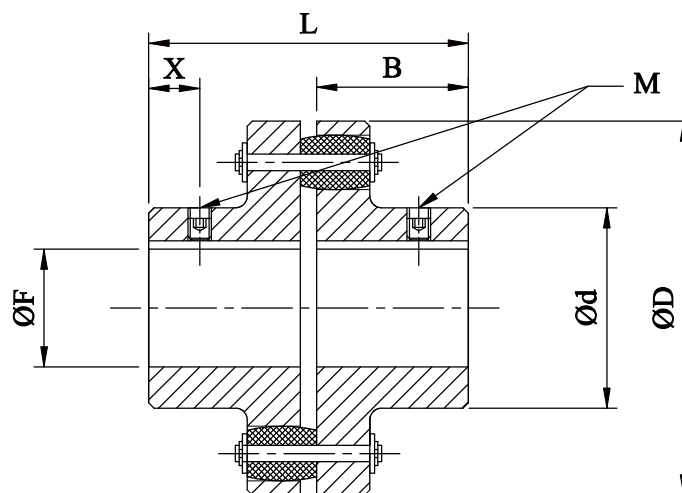
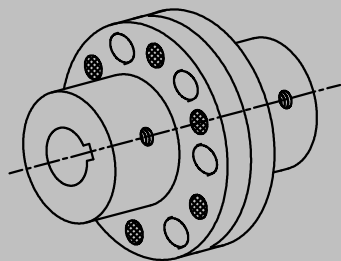


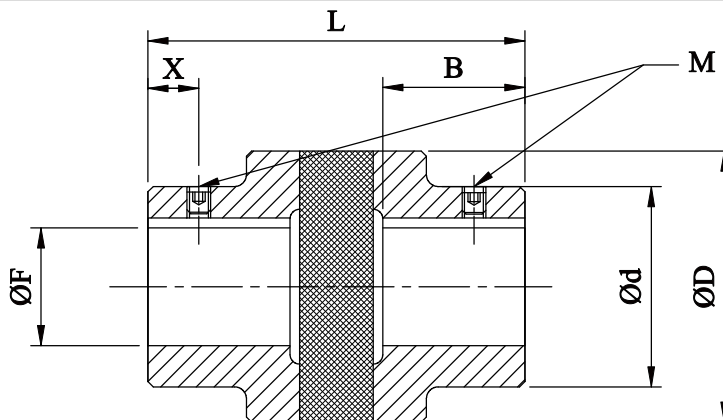
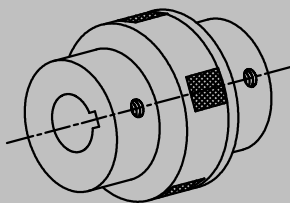
**ACOPLAMENTOS ELÁSTICOS**

**Tipo "W" ( Pinos )**



Tamanho W	Ø F (Máx.)	L	X	B	Ø D	Ø d	Rosca M	Mt (Kgf)	Peso (Kg)
W-05	48	124	18	60	150	90	M10	45	6,5
W-06	55	144	23	70	160	95	M12	65	10,0
W-07	60	164	28	80	170	110	M12	120	13,0
W-09	80	197	32	95	230	146	M14	240	26,0
W-11	110	237	42	115	257	170	M14	480	50,0
W-13	150	300	50	145	340	220	M16	960	108,0
W-15	160	380	62	185	436	270	M16	1906	215,0

**Tipo "ZA" (Cruzeta)**



Tamanho ZA	Ø F (Máx.)	L	X	B	Ø D	Ø d	Rosca M	Torque (Kgf)	Peso (Kg)
ZA0	11	49	7,5	17,0	25,0	20,0	M5	0,5	0,1
ZA1	20	70	8,5	25,0	46,0	35,0	M6	1,3	0,5
ZA2	25	86	11,5	30,0	58,0	42,5	M8	3,9	0,7
ZA3	38	105	11,5	38,5	73,0	66,0	M8	13,0	2,0
ZA4	45	130	15,0	50,0	95,0	82,0	M8	23,4	3,5
ZA5	55	160	19,0	61,5	115,0	98,0	M8	33,8	6,5

**MACOPEMA INDÚSTRIA E COMÉRCIO LTDA.**  
**AV. WILSON FOLADOR, 1973**  
**MONTE ALTO - SP CEP 15910-000**  
**FONE/FAX (16) 3244-0707**  
**e-mail: macopema@macopema.com.br**